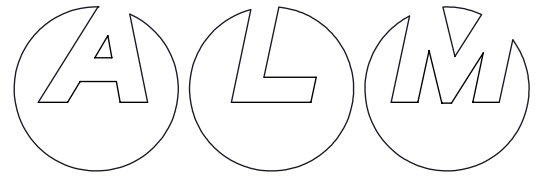


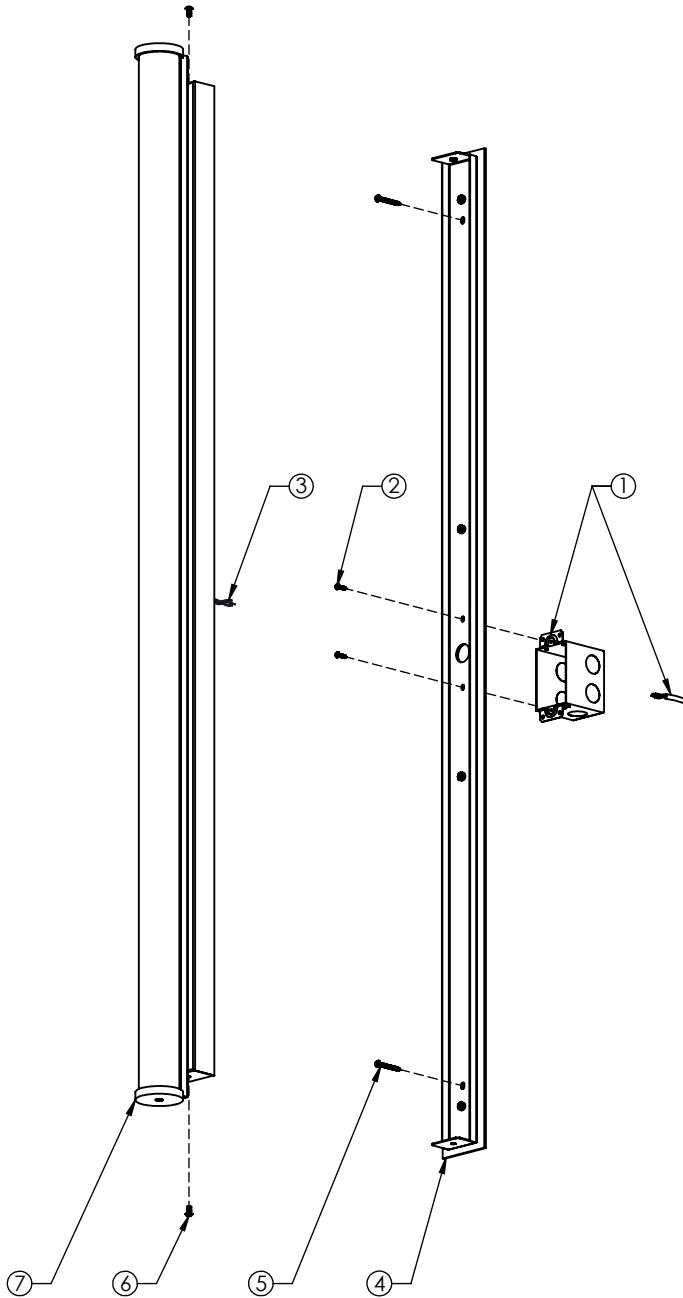
Sigma Indoor

WALL

INSTALLATION INSTRUCTIONS



NOTE - Remote driver:
- If required, installed by others
- Connect wires accordingly



1	2" x 3" junction box and power feed (by others)
2	Mounting screws to junction box 6-32 x 3/4" long, round head (by others)
3	Fixture power wires
4	Mounting assembly
5	Mounting hardware (provided)
6	Fixture housing assembly mounting screws (x2)
7	Fixture housing

INSTRUCTIONS:

1. Unscrew the fixture housing mounting screws and remove mounting assembly from the fixture housing.
2. Bring the electrical power feed through the hole in mounting assembly, secure mounting assembly to the junction box (screws by others) and to the wall using mounting hardware provided. If junction box is not available, secure mounting assembly to the wall using additional mounting hardware provided.
3. Bring fixture housing to the location, splice the fixture power wires and power feed as required and secure fixture housing to the mounting assembly using fixture housing mounting screws provided. Wires for connection are clearly labeled.
4. Energize.

GENERAL NOTE:

- * Turn power off before beginning.
- * Do not connect to an ungrounded supply.
- * Consult a qualified electrician to ensure correct branch circuit conductor.
- * This product must be installed in accordance with the applicable installation code by a person familiar with the construction and operation of the product and the hazards involved.
- * Save these instructions.